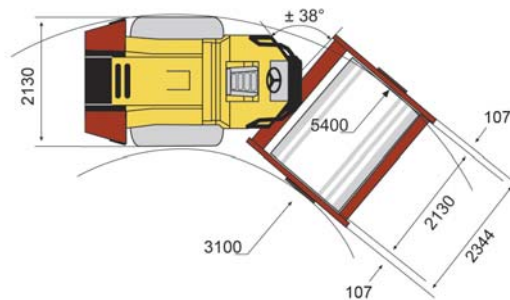
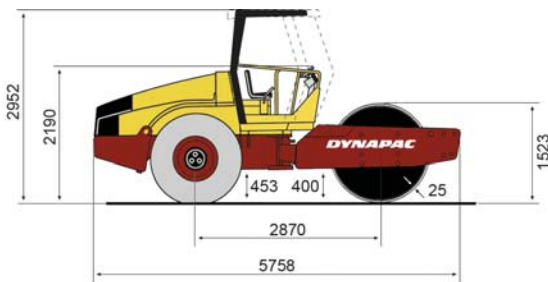


DYNAPAC

Part of the Atlas Copco Group

CA260D- II Single drum soil compactors



Masses	CA260D- II
Max. operating mass	13,250 kg
Operating mass (incl. ROPS)	10,700 kg
Front module mass	5,600 kg
Traction	
Speed range (km/ h)	0-9
Vertical oscillation	±9°
Tyre size (8 ply)	23,1x26
Theor. gradeability	71 %
Compaction	
Static linear load	26.30 kg/ cm
Nominal amplitude, high	1.70 mm
Nominal amplitude, low	0.80 mm
Vibration frequency, at high amplitude	33 Hz
Vibration frequency, at low amplitude	33 Hz
Centrifugal force, at high amplitude	246 kN
Centrifugal force, at low amplitude	119 kN
Engine	
Manufacturer	Cummins
Model	QSB 6.7
Type	Water cooled turbo Diesel with After Cooler
Rated power	112 kW
Rated power	150 hp
Rated power @	2,200 rpm
Rated power (rating standard)	SAE J1995
Hydraulic system	
Driving	Axial piston pump with variable displacement. Axial piston motor with constant displacement. Radial piston motors with constant displacement (D, PD).
Vibration	Axial piston pump with variable displacement and Axial piston motor with constant displacement.
Steering	Gear pump with constant displacement.
Service brake	Hydrostatic in forward and reverse lever.
Parking/ Emergency brake	Failsafe multidisc brake in rear axle.

Find your local dealer at www.dynapac.com

We reserve the right to change specifications without notice. Photos and illustrations do not always show standard versions of machines.
The above information is a general description only, all informations are supplied without liability.