



8085

All Wheel Steer Loaders



The 8085 T4F all wheel steer wheel loader offers easy transport and maneuverability around the job site. This wheel loader features a long wheelbase for smooth driving and easy handling. Counterweights are located far behind the rear axle for higher payloads and stability. Three steering modes offer excellent maneuverability, overall machine stability and increased performance. Machine design features a T4F 74 HP engine with maintenance free after-treatment (DOC) with a focus of the placement of components for access and serviceability.

- Tier 4 Final Deutz engine with maintenance-free DOC aftertreatment provides power and efficient operation
- Hydraulically operated universal attachment plate allows for efficient changing from one accessory to another without leaving the operator's station
- Three steering modes (All-wheel, 2-wheel and Crab) provide excellent maneuverability in any operating condition
- Operator's station offers a spacious and functional layout for operator comfort and provides a panoramic view
- Certain models are available with 25 mph/40 kph and high flow auxiliary hydraulics

Technical specifications



Engine / Motor

Engine / Motor manufacturer	Deutz
Engine / Motor type	TCD 2.9
Engine performance	73.7 hp
Displacement	177 in ³

Electrical system

Operating voltage	12 V
Battery	77 Ah
Alternator	95 A

Weights

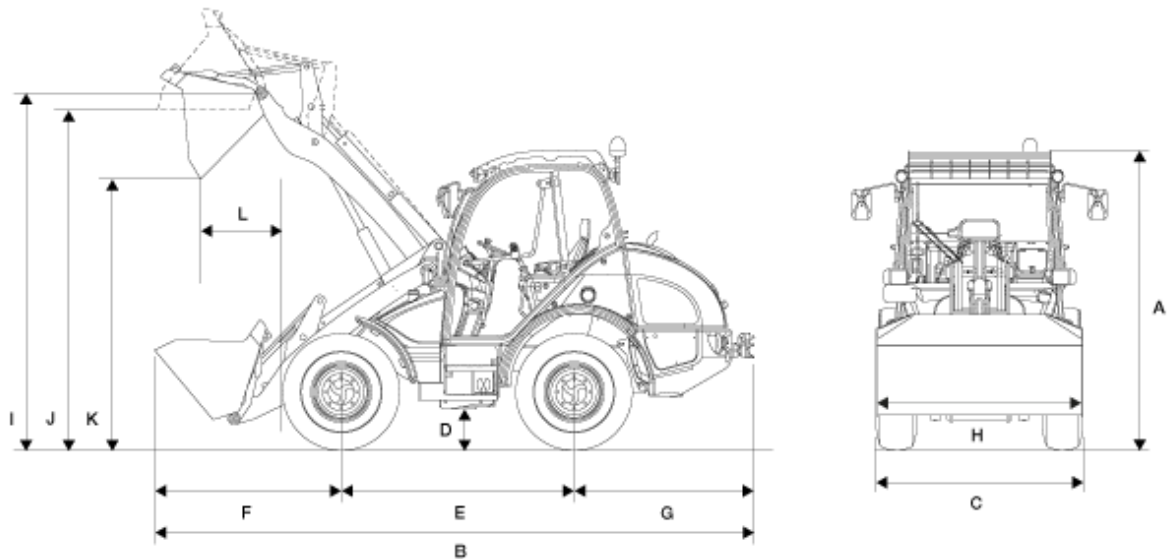
Operating weight	10,471.85 lb
Lifting force	98.46 lb
Payload	4,739.89 lb
Tipping load standard bucket	8,046.79 lb
Tipping load pallets	5,919.35 lb

Vehicle data

Bucket capacity	1.1 yd ³
Speed Level series	20



Dimensions



Dimensions	
B Overall length in	205.92
I Bucket pivot point in	128.31
E Wheelbase in	78.78
A Height in	96.72
J Overhead loading height in	123.62
K Dumping height in	99.84
C Overall width in	69.42
H Bucket width in	72.15
D Ground clearance in	12.87
F Center of front axle to tip of teeth in	69.68
G Center of rear axle to end of vehicle in	58.66
Stack height in	119.68



Please note

that product availability can vary from country to country. It is possible that information / products may not be available in your country. More detailed information on engine power can be found in the operator's manual; the stated power may vary due to specific operating conditions. Subject to alterations and errors excepted. Applicable also to illustrations.

Copyright © 2016 Wacker Neuson SE.