



WL38

Articulated Wheel Loaders



Articulated Wheel Loader offers Power and Performance: WL 38

The extremely compact yet powerful WL 38 wheel loader is an excellent choice for any jobsite. The WL 38 is equipped with a 74-hp turbo charged Deutz Tier 4 Final diesel engine allowing the machine to achieve top speeds of 19 mph. With a standard auxiliary hydraulic flow of 18 gpm and high flow of 33 gpm, this is the perfect machine for a variety of jobs. The operator's station is ergonomically laid out for the comfort and convenience of the operator. Operating elements including a multifunctional single lever control and an additional lever for the third control circuit are conveniently arranged next to the driver's seat for easy operation.

- Deutz T4F, 74-hp engine offers a maintenance-free after treatment
- Standard aux hydraulic high flow of 18 gpm and 31 gpm allows the operation of high performance attachments
- Universal hydraulic attachment plate allows flexibility for use of current and new attachments
- Faster quick connect hydraulic connector provides quick and easy changing of attachments
- A 14-pin wiring harness allows the operator to control multiple attachment functions simply from the unit's single joystick.

Wheel Loader competence to the last detail.



Maneuverable to the tightest corner

The articulated pendulum joint makes the machine uniquely manoeuvrable and provides constant traction also on uneven ground.



100% connectable differential lock

The 100% differential lock offers maximum traction even on difficult ground.



Universal Attachment plate

Use your existing and new attachments that can be easily connected with the universal attachment plate (skid steer).



Comfortable cabin design

The spacious design and amenities of our wheel loader cabins offer plenty of user friendly comfort.

Technical specifications

Engine / Motor

Engine / Motor manufacturer	Deutz
Engine / Motor type	TCD 2.9 L4
Cylinder	4
Engine performance	74 hp
at rpm maximum	2,600 rpm
Displacement	135.23 in ³
Coolant type	Water

Electrical system

Operating voltage	12 V
Battery	95 Ah
Alternator	85 A

Weights

Operating weight	9,260 lb
Lifting force maximum	4,850 lb
Breakaway force maximum	9,280 lbf
Tipping load with bucket - machine straight	6,508 lb
Tipping load with pallet fork - machine straight	5,666 lb

Vehicle data

Bucket capacity Standard bucket*	0.785 yd ³
Traction drive	Hydrostatic with universal joint shaft



Axles	PA 1,200
Drivers cab	Cabin
Speed (standard)	0-12.43 mph
Speed (optional)	0-17.4 mph
Speed Level	2
Standard tires	15/55-18 EM ET 0

Hydraulic system

Driving hydraulics - operating pressure	6,454 psi
Operating hydraulics - operating pressure	3,045.84 psi
Operating hydraulics - discharge capacity	14.56 US gpm
Operating hydraulics - discharge capacity (optional up to)	30.16 US gpm

Filling capacities

Tank capacity (fuel)	16.9 US gal
Hydraulic oil tank	52.8 US qt

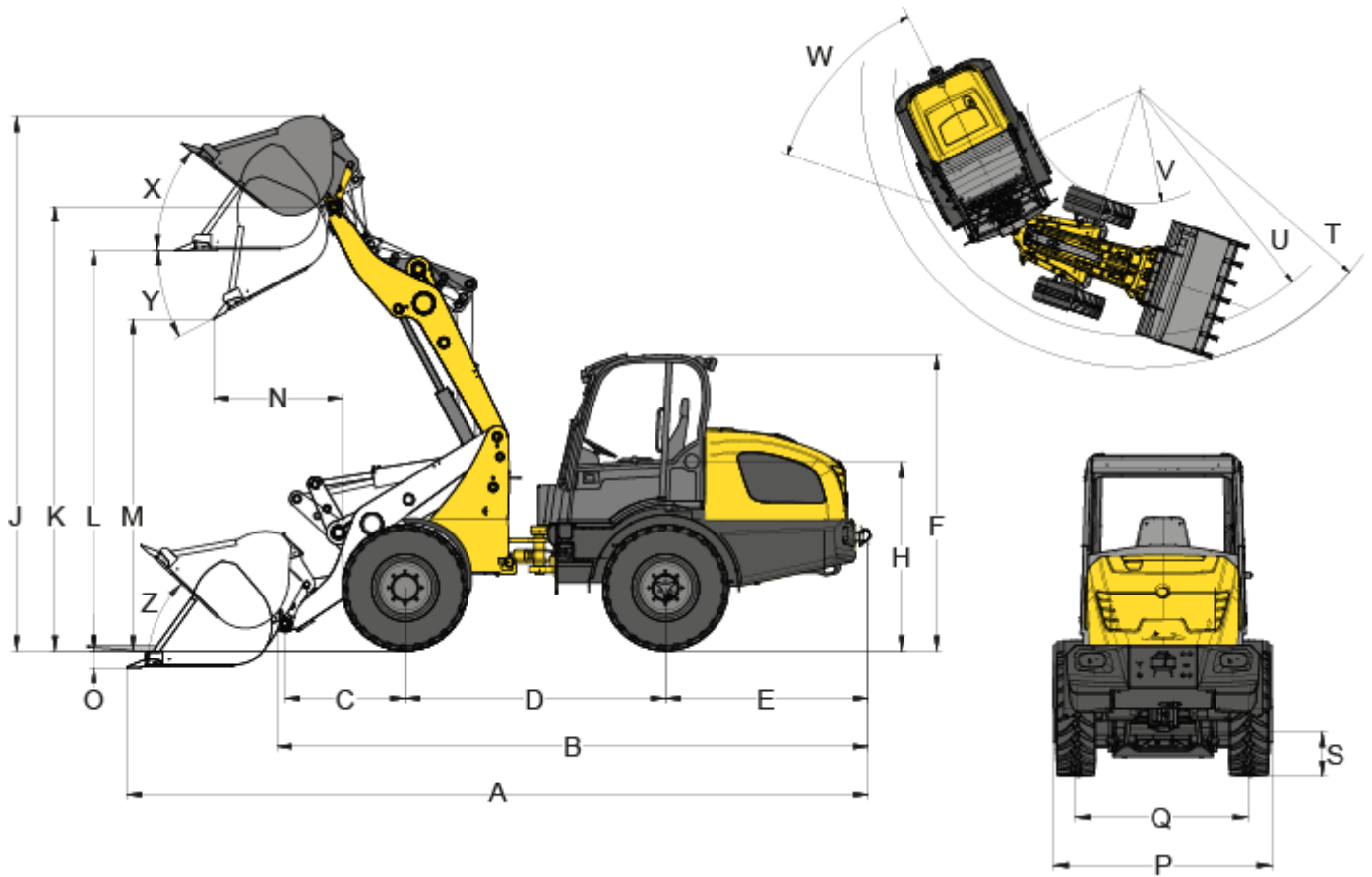
Sound level

Average sound power level LwA	99.3 dB(A)
Guaranteed sound power level LwA	101 dB(A)
Specified sound pressure level LpA	78 dB(A)

*Standard bucket = digging bucket, width 1650 mm (65 in)



Dimensions



Standard tires	15/55-18 EM ET 0
A Overall length in	200.4
B Overall length without bucket in	167
C Bucket pivot point to axle center in	26.3
D Wheelbase in	79.8
E Rear overhang in	59.1
F Height with cab in	99
H Seat height in	46.95
J Total operating height in	156.3
K Stroke height max. - bucket pivot point in	126.8
L Overhead loading height in	112.8
M Dumping height in	92.8
N Range at M in	6
O Scraping depth in	4.7



P	Overall width in	61.2
S	Ground clearance in	12.2
T	Radius maximum in	142.4
U	Radius at outer edge in	129.4
V	Inside turning radius in	64
X	Reverse roll angle at max. stroke height °	43
Y	Tip-out angle maximum °	42
Z	Reverse roll angle at ground level °	41

All values with standard bucket and standard tires

Please note

that product availability can vary from country to country. It is possible that information / products may not be available in your country. More detailed information on engine power can be found in the operator's manual; the stated power may vary due to specific operating conditions. Subject to alterations and errors excepted. Applicable also to illustrations.
Copyright © 2016 Wacker Neuson SE.