



## WL52

Articulated Wheel Loaders

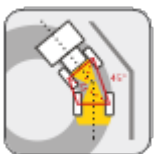


### Versatility, power and performance: WL 52

The WL 52 articulated wheel loader is the ideal machine for a variety of jobs. It is equipped with a 74-HP turbo charged Deutz T4F diesel engine. With standard auxiliary hydraulic flow of 18 gpm and high flow of 33 gpm (optional) allows for operation of high performance attachments. With travel speeds up to 19 mph, getting around the jobsite is extremely efficient. The operator's station is ergonomically laid out for the comfort and convenience of the operator, reducing fatigue and increasing productivity. Operating elements including a multifunctional single lever control and an additional lever for the third control circuit, are conveniently arranged next to the driver's seat for easy operation.

- Deutz Tier 4 Final, 74-hp engine offers a maintenance-free aftertreatment
- The tilting driver's cab provides optimum service access
- Universal hydraulic attachment plate allows flexibility for use of current and new attachments
- Faster quick connect hydraulic connector provides quick and easy changing of attachments
- A 14-pin wiring harness allows the operator to control multiple attachment functions simply from the unit's single joystick

Wheel Loader competence to the last detail.



#### Maneuverable to the tightest corner

The articulated pendulum joint makes the machine uniquely maneuverable and provides constant traction also on uneven ground.



#### 100% connectable differential lock

The 100% differential lock offers maximum traction even on difficult ground.



**Universal attachment plate**

Use your existing and new attachments that can be easily connected with the universal attachment plate (skid steer).



**Comfortable cabin design**

The spacious design and amenities of our wheel loader cabins offer plenty of user friendly comfort.

## Technical specifications

### Engine / Motor

Engine / Motor manufacturer	Deutz
Engine / Motor type	TCD 2.9 L4
Cylinder	4
Engine performance	75 hp
at rpm maximum	2,300 rpm
Displacement	177 in <sup>3</sup>
Coolant type	Water / Charge Air

### Electrical system

Operating voltage	12 V
Battery	95 Ah
Alternator	95 A

### Weights

Operating weight	11,243.5 lb
Lifting force maximum	6,755.5 lb
Breakaway force maximum	9,538.6 lbf
Tipping load with bucket - machine straight	7,072 lb
Tipping load with pallet fork - machine straight	5,937 lb

### Vehicle data

Bucket capacity Standard bucket	0.981 yd <sup>3</sup>
Traction drive	Hydrostatic with universal joint shaft
Axles	PA 1,400



Drivers cab	Cabin
Speed (standard)	0-12.43 mph
Speed (optional)	0-18.6 mph
Speed Level	2
Standard tires	405/70-18 EM ET 0

#### Hydraulic system

Driving hydraulics - operating pressure	6,454.28 psi
Operating hydraulics - operating pressure	3,335.92 psi
Operating hydraulics - discharge capacity	15 US gpm
Operating hydraulics - discharge capacity (optional up to)	30.16 US gpm

#### Filling capacities

Tank capacity (fuel)	21.3 US gal
Hydraulic oil tank	69.7 US qt

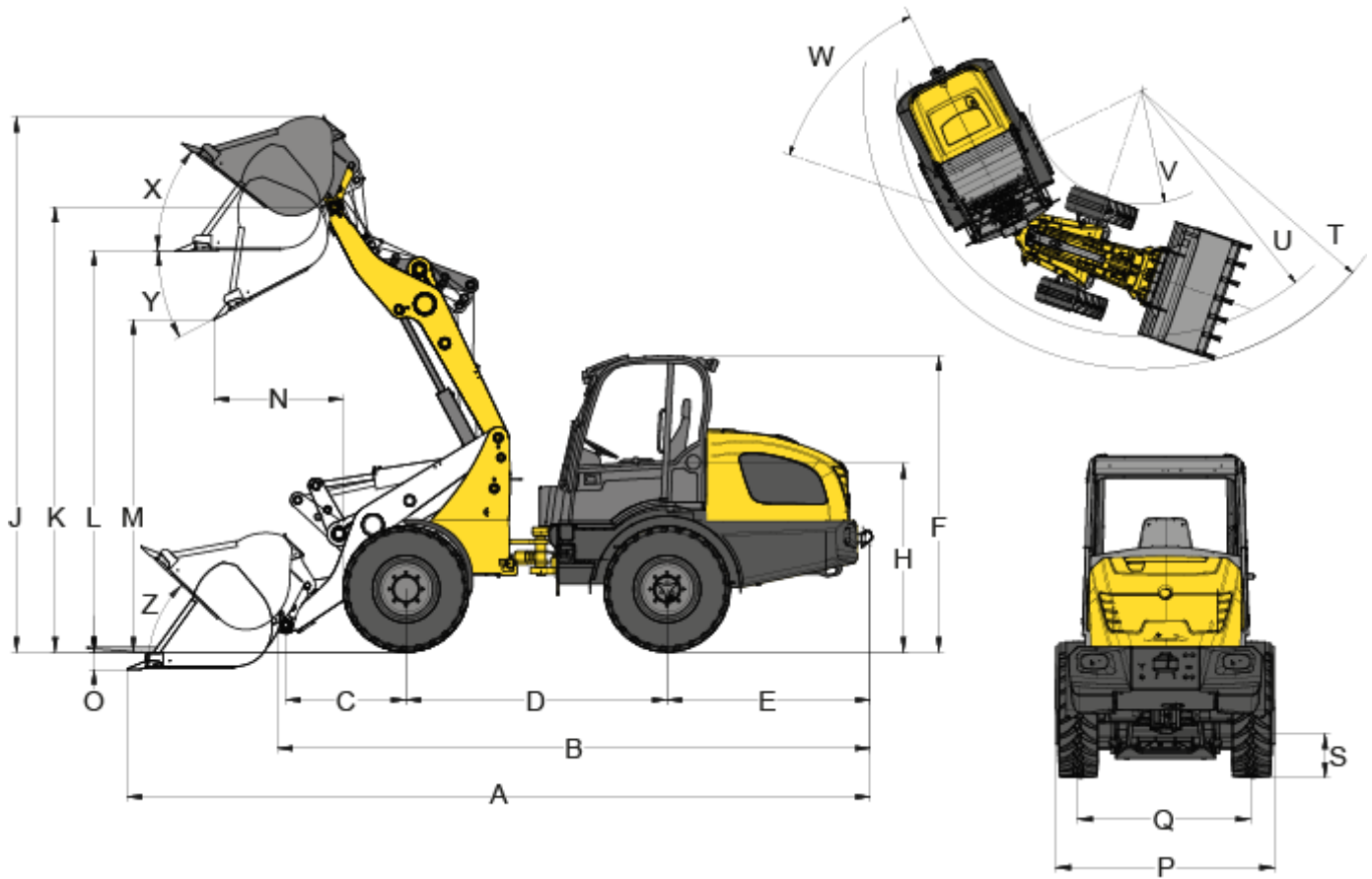
#### Sound level

Average sound power level LwA	103.3 dB(A)
Guaranteed sound power level LwA	101 dB(A)
Specified sound pressure level LpA	78 dB(A)

Standard bucket = digging bucket, width 1900 mm (75 in)



## Dimensions



Standard tires

405/70-18 EM ET 0

A	Overall length in	214
B	Overall length without bucket in	181.3
C	Bucket pivot point to axle center in	40
D	Wheelbase in	78.3
E	Rear overhang in	59.7
F	Height with cab in	103
H	Seat height in	60.8
J	Total operating height in	157
K	Stroke height max. - bucket pivot point in	131
L	Overhead loading height in	118.1
M	Dumping height in	98.3
N	Range at M in	24.4
O	Scraping depth in	4.4



<b>P</b>	Overall width in	73.1
<b>Q</b>	Track width in	53.1
<b>S</b>	Ground clearance in	14.2
<b>T</b>	Radius maximum in	153.8
<b>U</b>	Radius at outer edge in	135
<b>V</b>	Inside turning radius in	60
<b>W</b>	Articulation angle °	42
<b>X</b>	Reverse roll angle at max. stroke height °	44
<b>Y</b>	Tip-out angle maximum °	39
<b>Z</b>	Reverse roll angle at ground level °	43

All values with standard bucket and standard tires

**Please note**

that product availability can vary from country to country. It is possible that information / products may not be available in your country. More detailed information on engine power can be found in the operator's manual; the stated power may vary due to specific operating conditions.

Subject to alterations and errors excepted. Applicable also to illustrations.

Copyright © 2016 Wacker Neuson SE.