



WL60

Articulated Wheel Loaders



WL 60 Articulated Wheel Loader offers power and speed

The WL 60, with its 101HP Perkins T4i engine, offers the speed and payload to handle nearly any jobsite it faces. With the universal hydraulic attachment plate and standard auxiliary hydraulic flow of 26 gpm (40 gpm optional), changing and operating existing or new attachments is quick and easy. A class leading Bucket-Pin height of 12' feet means dumping over high-side trucks is no longer an issue. The spacious climate-controlled cab features impressive 360° visibility along with ergonomically designed joysticks and controls to maximize operator comfort.

- Class leading 12 ft (3.65 m) pin height for easily managing high-side dump trucks.
- Universal Hydraulic Attachment Plate along with 26 gpm aux. hydraulic flow (40gpm optional) accommodates most existing skid steer attachments.
- PZ kinematics system ensures that power and speed are always optimum when raising and lowering the lift arms.
- Excellent service access with tilting cab and engine hood that opens 90-degrees, allowing full access to all engine and hydraulic components.

Technical specifications



Engine / Motor

Engine / Motor manufacturer	Perkins
Engine / Motor type	Turbo-Charged, water-cooled, 4-cylinder diesel engine
Cylinder	4
Engine performance	102 hp
at rpm	2,500 rpm
Coolant type	Water

Electrical system

Operating voltage	12 V
Battery	95 Ah
Alternator	120 A

Weights

Operating weight Cab	12,875 lb
Breakaway force	7,898 lbf
Tipping load with bucket - machine straight	7,798 lb
Tipping load with pallet fork - machine straight	7,297 lb

Vehicle data

Bucket capacity	1.5 yd ³
Speed Level 1	12 mph
Speed Level 2	19 mph
Standard tires	405/70-18EM ET0

Hydraulic system

Driving hydraulics - operating pressure	6,454.28 psi
Operating hydraulics - operating pressure	3,045.84 psi
Operating hydraulics - discharge capacity	26 US gpm
Operating hydraulics - discharge capacity	39 US gpm

Filling capacities

Tank capacity	27.3 US gal
Hydraulic oil tank	100.3 US qt

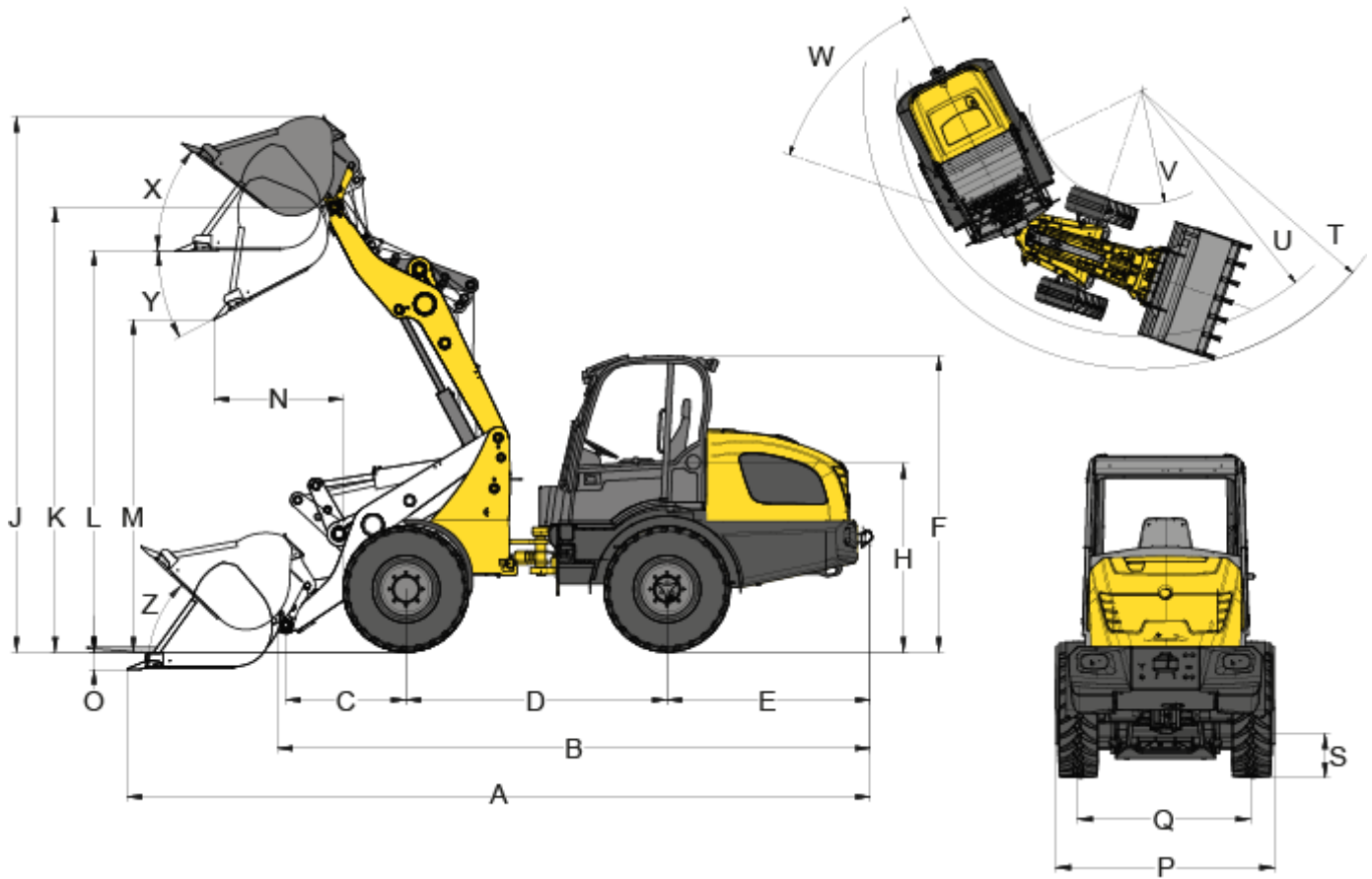


Sound level

Average sound power level L _{wA}	101 dB(A)
Guaranteed sound power level L _{wA}	103 dB(A)
Specified sound pressure level L _{pA}	78 dB(A)



Dimensions



Standard tires	405/70-18EM ET0
A Overall length with standard bucket in	230.02
B Overall length without bucket in	186.42
C Bucket pivot point to axle center in	38.65
D Wheelbase in	83.85
E Rear overhang in	65.36
F Height with cabin in	105.03
H Seat height in	62.75
J Total operating height in	171.95
K Stroke height max. - bucket pivot point in	143.75
L Overhead loading height in	131.63
M Dumping height in	110.8
N Range at M in	31.16
O Scraping depth in	2.89



P	Overall width in	71.33
Q	Track width in	55.46
S	Ground clearance in	14.63
T	Radius maximum in	158.81
U	Radius at outer edge in	143.75
V	Inside turning radius in	64.97
W	Articulation angle °	45
X	Reverse roll angle at max. stroke height °	33
Y	Tip-out angle °	33
Z	Reverse roll angle at ground level °	39

Please note

that product availability can vary from country to country. It is possible that information / products may not be available in your country. More detailed information on engine power can be found in the operator's manual; the stated power may vary due to specific operating conditions.

Subject to alterations and errors excepted. Applicable also to illustrations.

Copyright © 2016 Wacker Neuson SE.